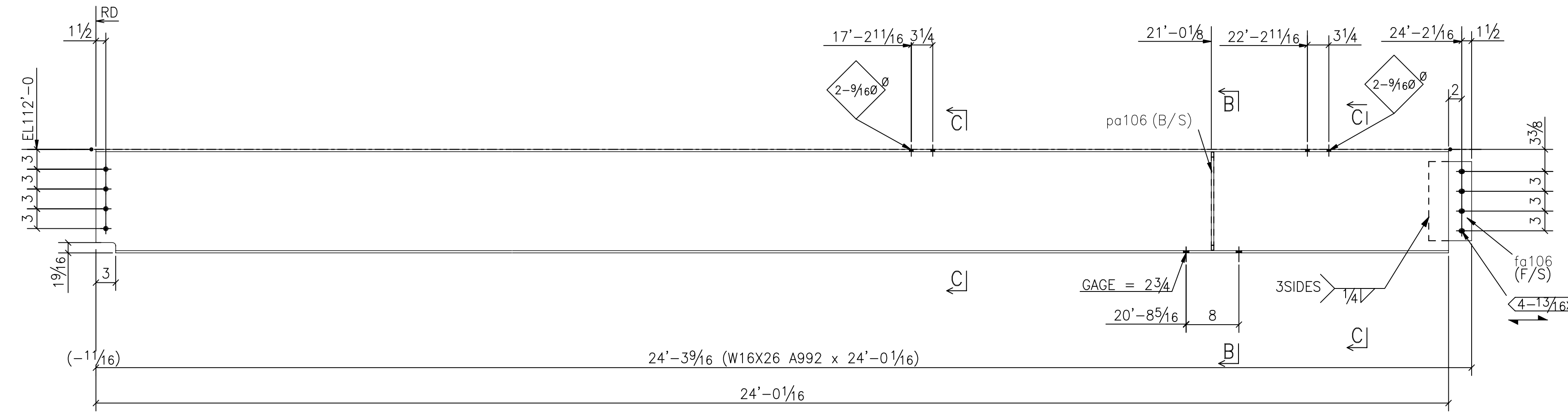


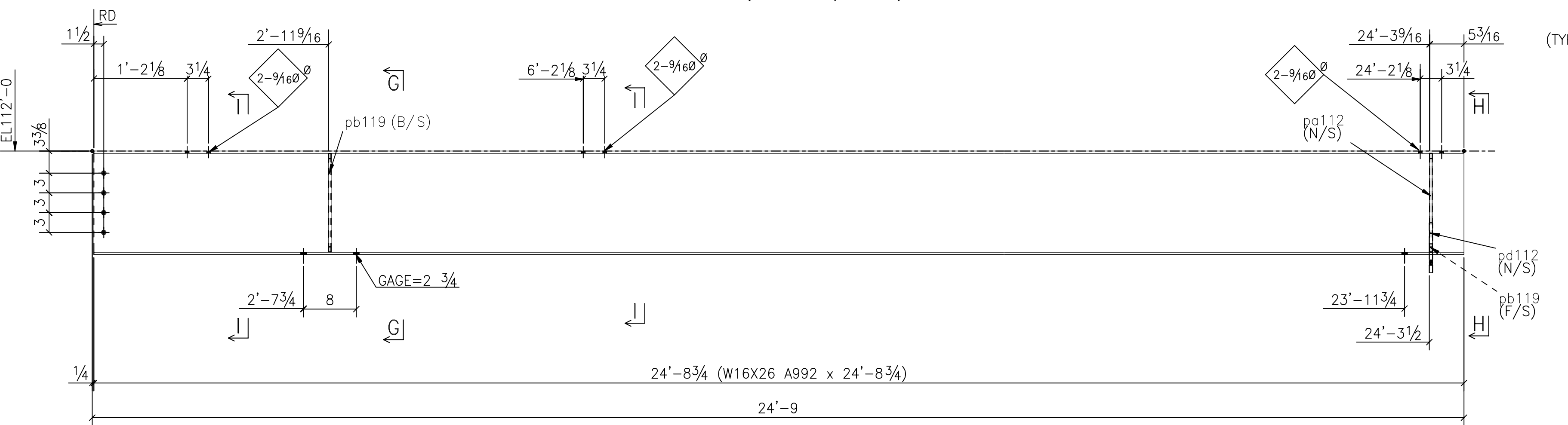
ONE BEAM 112B1

W 15 11/16" x 1/4"
F 5 1/2" x 3/8"
(GRID C/3-4)



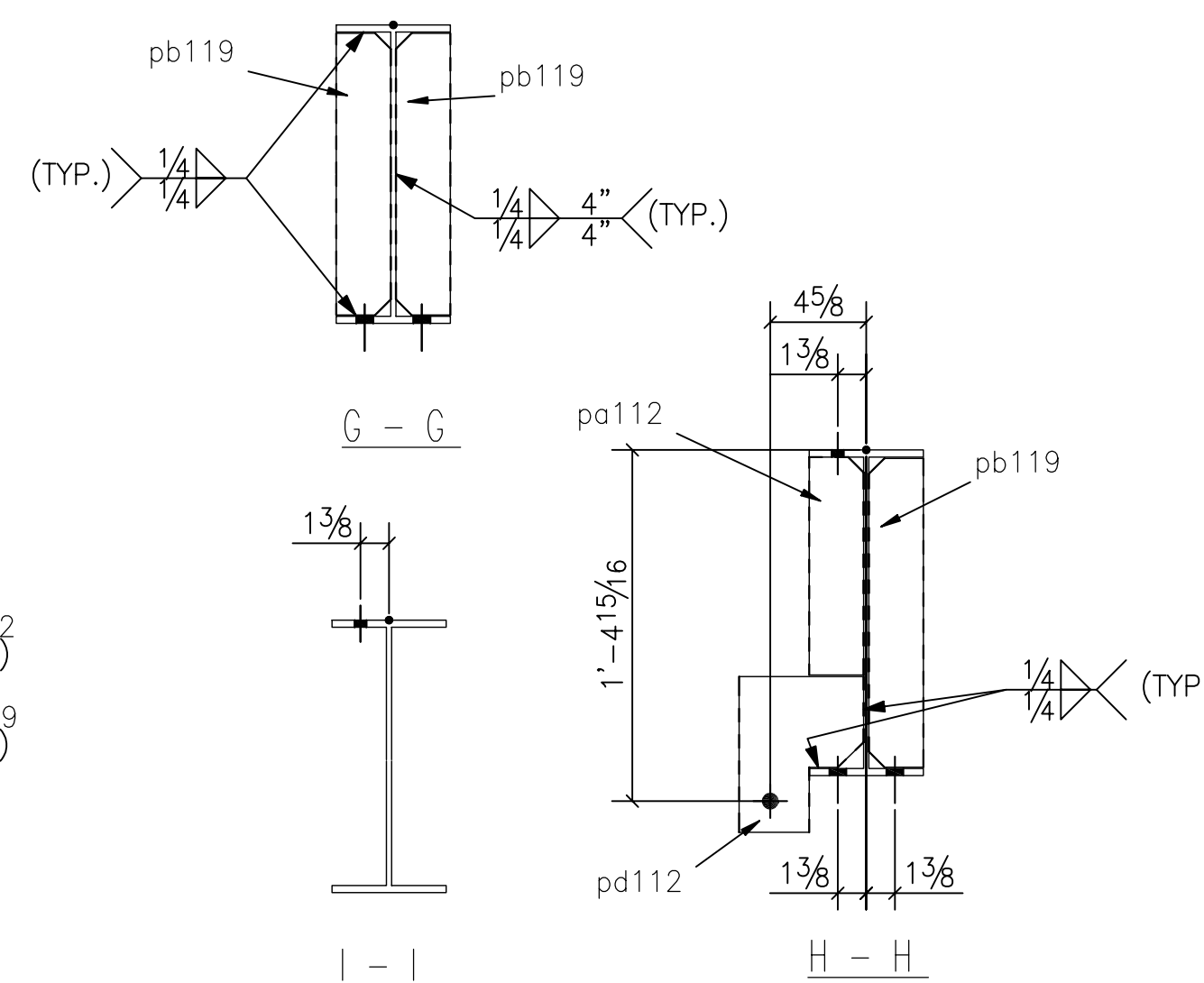
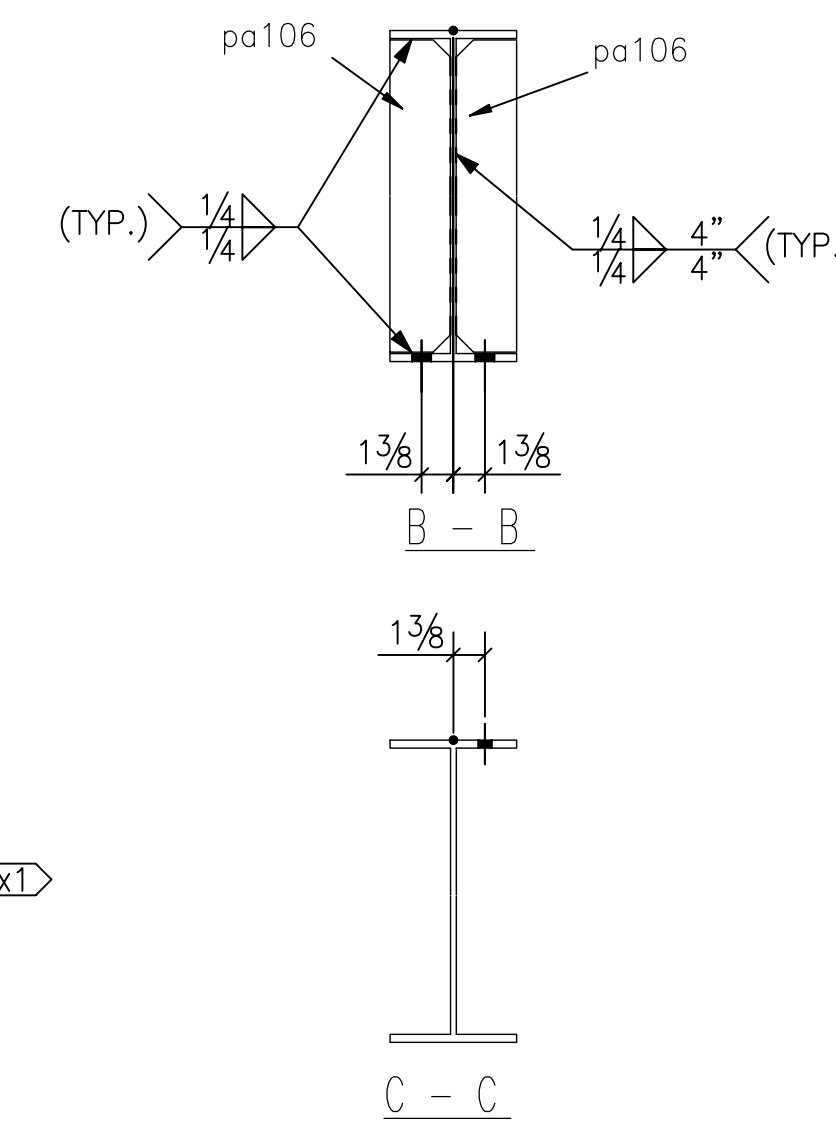
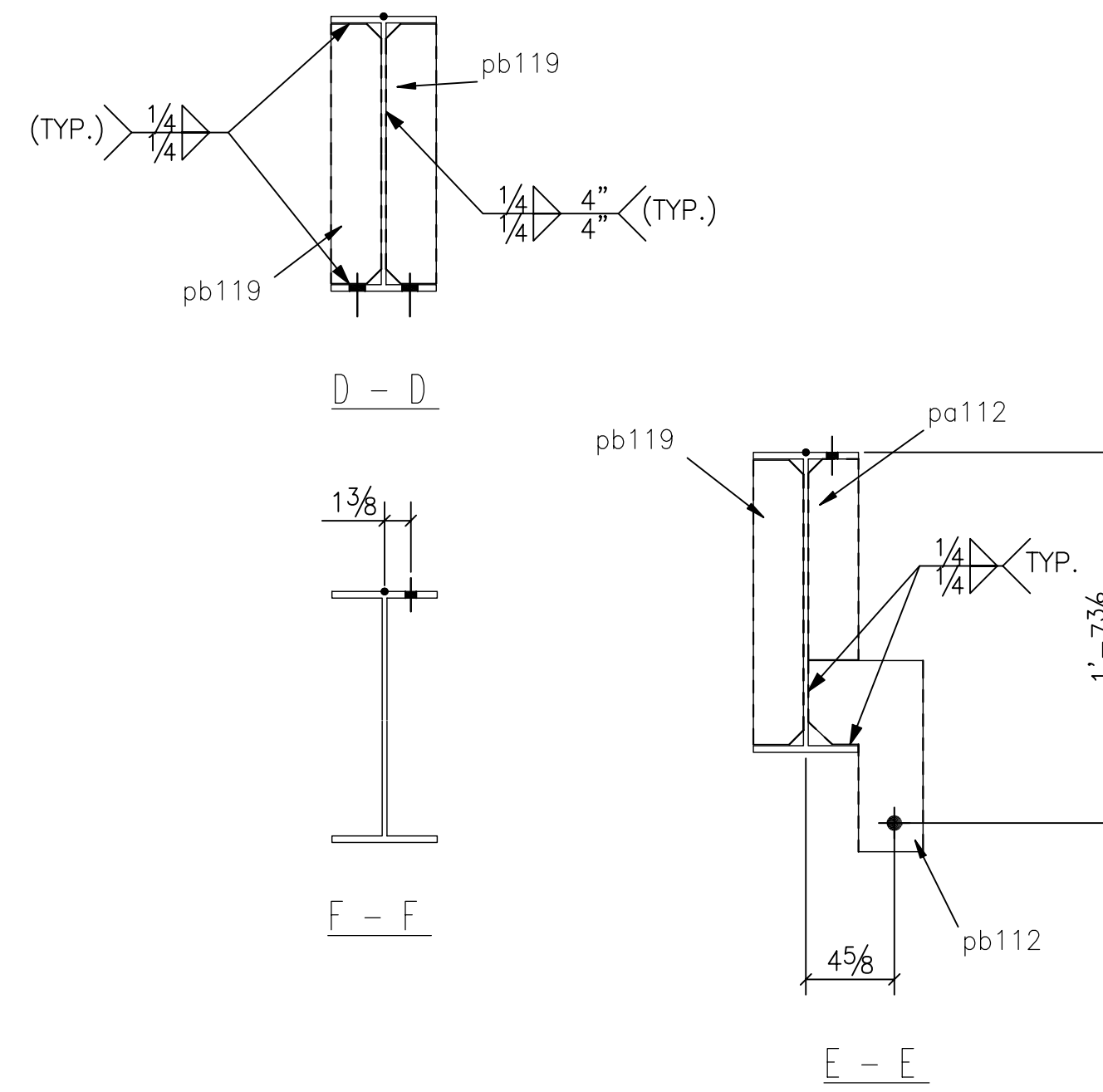
ONE BEAM 112B2

W 15 11/16" x 1/4"
F 5 1/2" x 3/8"
(GRID C/1-2)



ONE BEAM 112B3

W 15 11/16" x 1/4"
F 5 1/2" x 3/8"
(GRID C/2-3)



LINE ITEM	SHIPPING LIST		BILL OF MATERIAL				
	NO. PCS	ASSEMBLY MARK	PART MARK	SHAPE	LENGTH FT IN	ADV. BILL	REMARKS
1							
2	1	112B1		W16X26	24'-8 3/4"		A992
3	1	pa112		PL3/8X2 5/8	0'-10 1/2"		
4	1	pb112		PL1/2X6	0'-10"		
5	3	pb119		PL3/8X2 5/8	1'-2 7/8"		
6							
7	1	112B2		W16X26	24'-0 1/16"		A992
8	1	fa106		FL3/8X6 1/2	1'-0"		HP, NP
9	2	pa106		PL3/8X2 5/8	1'-2 7/8"		
10							
11	1	112B3		W16X26	24'-8 3/4"		A992
12	1	pa112		PL3/8X2 5/8	0'-10 1/2"		
13	3	pb119		PL3/8X2 5/8	1'-2 7/8"		
14	1	pd112		PL1/2X6	0'-7 1/2"		

ASSM. MK.	TOTAL QTY	UNIT QTY	FIELD BOLTS	LENGTH	REMARKS
112B1	4	4	1/2" DIA A307	1 3/4"	1 HD WASHER
112B1	2	2	1/2" DIA A307	2"	1 HD WASHER
112B1	2	2	3/4" DIA A325SC_TC	2 1/4"	1 HD WASHER
112B1	4	4	3/4" DIA A325SC_TC	2 1/4"	1 HD WASHER
112B2	4	4	1/2" DIA A307	1 3/4"	1 HD WASHER
112B2	4	4	3/4" DIA A325SC_TC	1 3/4"	1 HD WASHER
112B2	4	4	3/4" DIA A325SC_TC	2 1/4"	1 HD WASHER
112B3	4	4	1/2" DIA A307	1 3/4"	1 HD WASHER
112B3	2	2	1/2" DIA A307	2"	1 HD WASHER
112B3	6	6	3/4" DIA A325SC_TC	2 1/4"	1 HD WASHER